

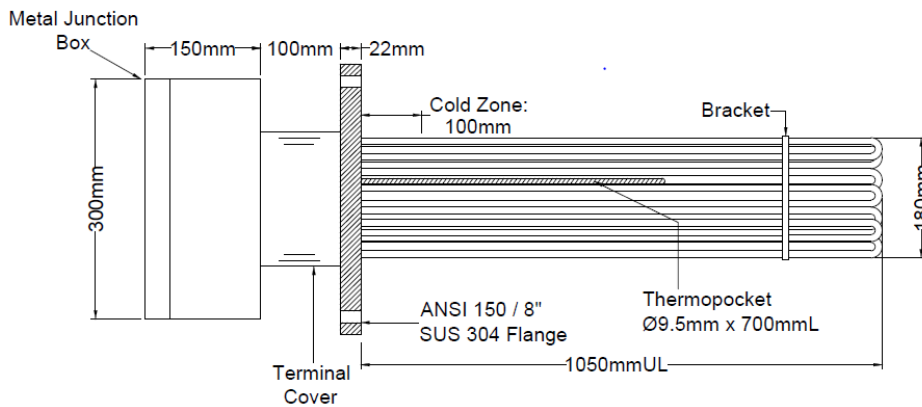
EQUIPMENT DATA SHEET

80kV Heater

ELECTRIC HEATER

Type	Hot Coil Heater
Brand	NTT
Model Number	MOS-50-100P-E4GV 480V 3P 100H
Flow Rate	18.17 m ³ /h
Material	Stainless Steel 304L
Connection	8" Flange Mounted, SS 304, 150#
System Capacity	200L
Dry weight	380 kg
Size	0.7 m (width) x 1.6 m (Length) x 1.4 m (high)
Operating Temperature	60°C
Voltage	80kV

DETAIL DRAWING



FLANGED WATER HEATER

Power Rating: 80KW x 415V / 3 Phase

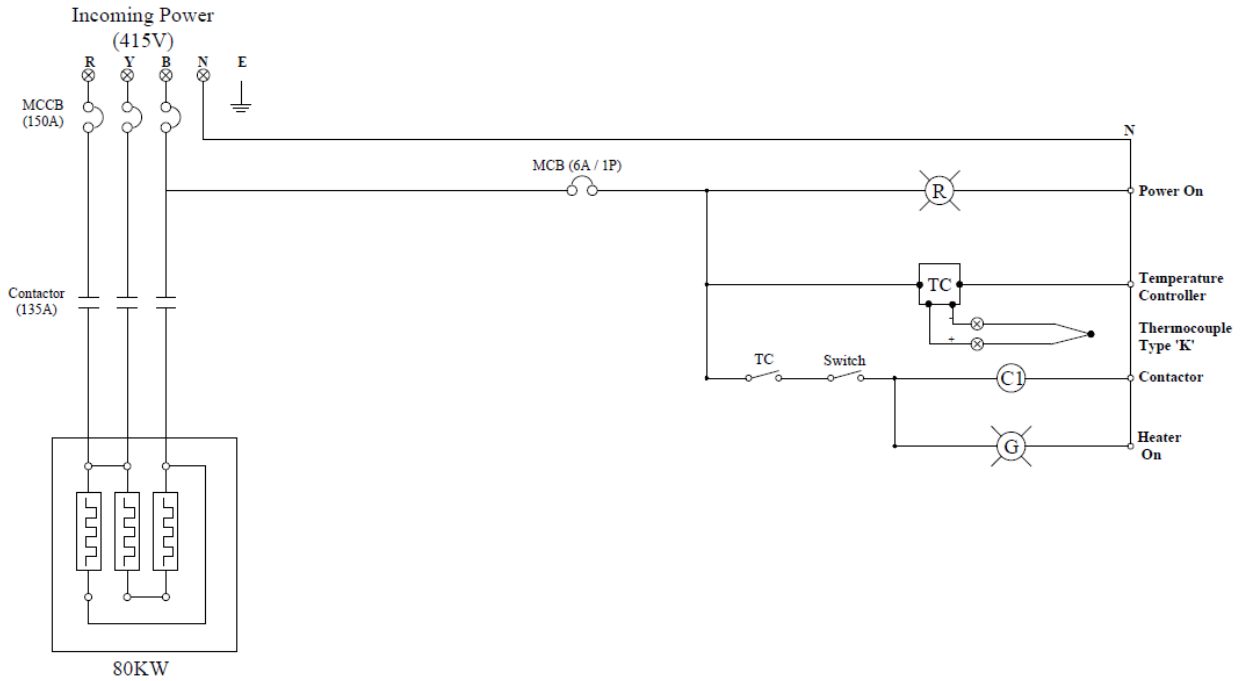
Description

- 1) Dimension: Ø11.2mm x 1050mmUL x 15 Elements
- 2) Heater Material: SUS 316L
- 3) Connection: Delta Connection
- 4) Flange Size: ANSI 150 / 8" SUS 304
- 6) Quantity: 1 unit

Electrical Circuit

CONTROL PANEL CIRCUIT DIAGRAM

80KW x 415V / 3 Phase



PICTURE

