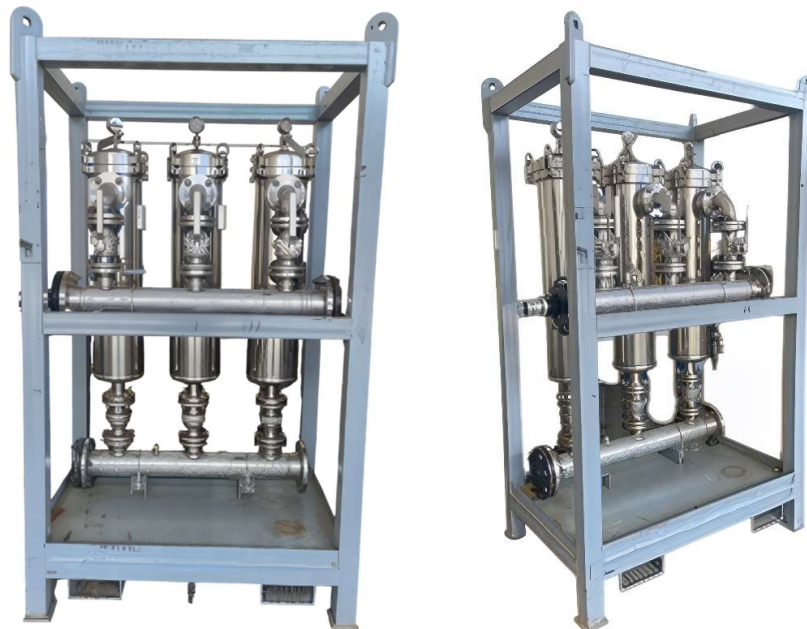


**EQUIPMENT DATA SHEET****AVP011****SOCK FILTER SKID****PUMP SPECIFICATION**

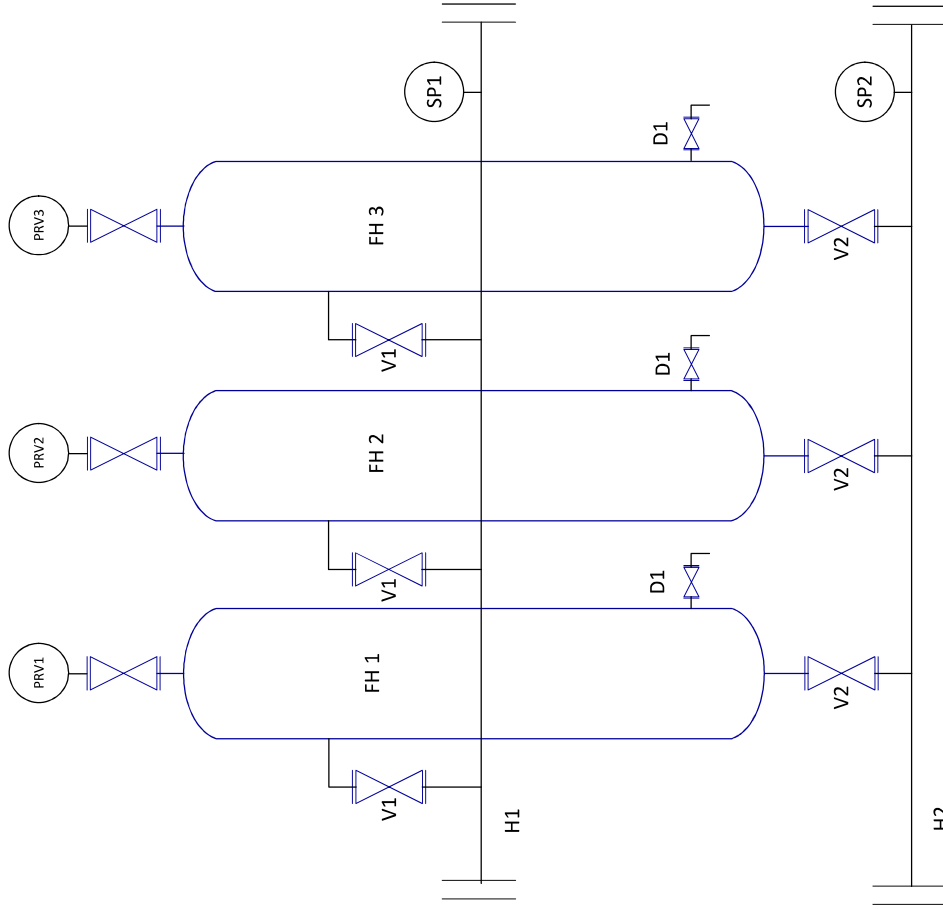
Equipment ID	AVF011
Equipment Description	3 Filter Vessels/Skid, L/W Individual Isolation Valve
Design Flowrate	45 m3/h
Design Operating Temperature	30 - 80°C
Max. Working Pressure	10 Bar
Housing Material	SS 304
Header Material	SS 304
Bag Size	Dia. 7" x 31" L
Filtering Size	5 - 20 MICRONS
Accessories	Accessories Pressure Gauge 0-15 Bar
Venting Point	1/4" NPT
Connection Inlet / Outlet	4" x 150#, Flange Connection
SS 304 PRV	Setting Pressure @7 Bar

SKID STRUCTURE

Material	MS A106
Overall Size	1220mm (L) x 813mm (W) x 1980mm (H)
Overall Weight	400 kg
Finishing	Epoxy Coating
Others	Welded with 4 Lifting Pad Eye, 2 Side Forklift Access at Base

FILTER SKID PICTURE

SOCK FILTER SKID



NO	ITEM	DESCRIPTION
1	FH 1,2,3	FILTER HOUSING 7" x 31"
2	V1	INLET VALVE, 2"
3	H1	INLET HEADER 4"X 150#
4	H2	OUTLET HEADER 4"X 150#
5	D1	DRAIN POINT 1/2"
6	SP 1	INLET SAMPLING POINT 1/2"
7	SP 2	OUTLET SAMPLING POINT 1/2"
8	PRV 1,2,3	PRESSURE RELIEF VALVE 1/4" NPT

LEGENDS:

CLIENT:

CONTRACTOR:

DRAWN BY: A1MAN

CHECKED BY: YUSUF

APPROVED BY: REV.

DRAWING NO: AV-SFK-012

DATE: 5/5/25

SCALE: NTS

REV. 0

SHT: 1 OF 1

PROJECT TITLE:
Sock Filter Skid

DRAWING TITLE:
Sock Filter Skid



This drawing and all information there on is the property of ALCHEM and must not be copied or used for construction without permission.

NOTE: